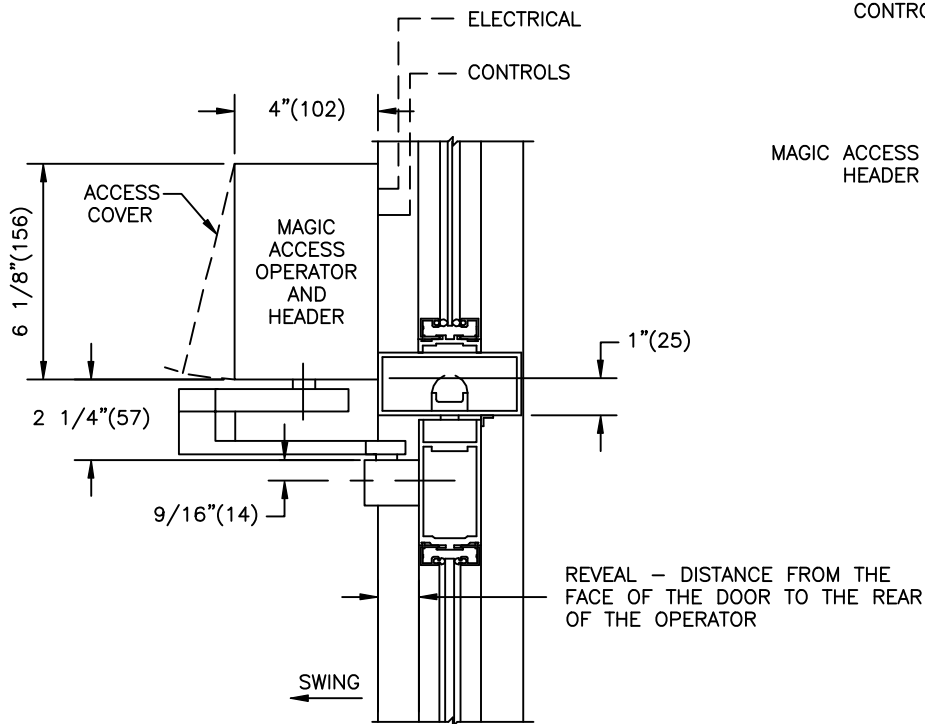


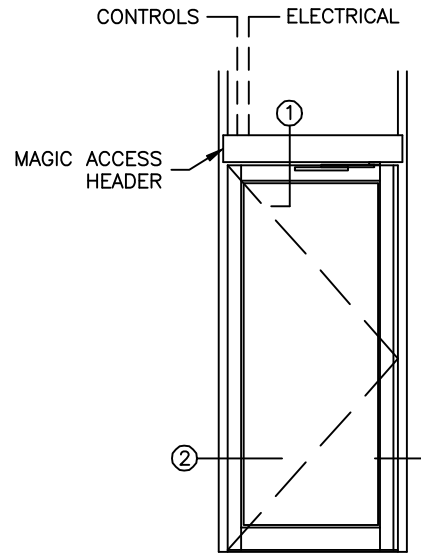
**STANLEY**

JOB NAME \_\_\_\_\_  
LOCATION \_\_\_\_\_  
DOOR NUMBER \_\_\_\_\_  
SHEET \_\_\_\_\_ OF \_\_\_\_\_

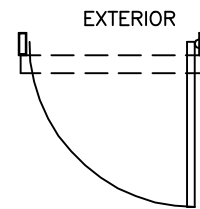
**MAGIC ACCESS**  
SINGLE DOOR  
CENTER PIVOT  
VISIBLE L.H. "IN"



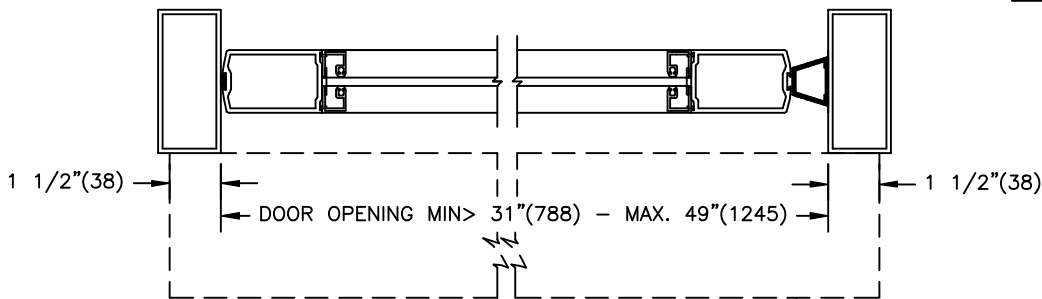
① VERTICAL SECTION



ELEVATION



PLAN



② HORIZONTAL SECTION

VISIBLE HEADER CASE

- NOTES:  
1. DETAILS NOT TO SCALE.  
2. ELECTRICAL REQUIREMENTS:  
120VAC, 5AMPS MIN. TO OPERATOR BY ELECTRICAL CONTRACTOR.  
3. DOORS (END LOAD DOORS), FRAMES AND HARDWARE BY OTHERS.  
4. 32" CLEAR DOOR OPENING REQUIRED TO MEET A.D.A. REQUIREMENTS.  
5. DOORS MUST BE NON-LATCHED FOR PROPER OPERATION.