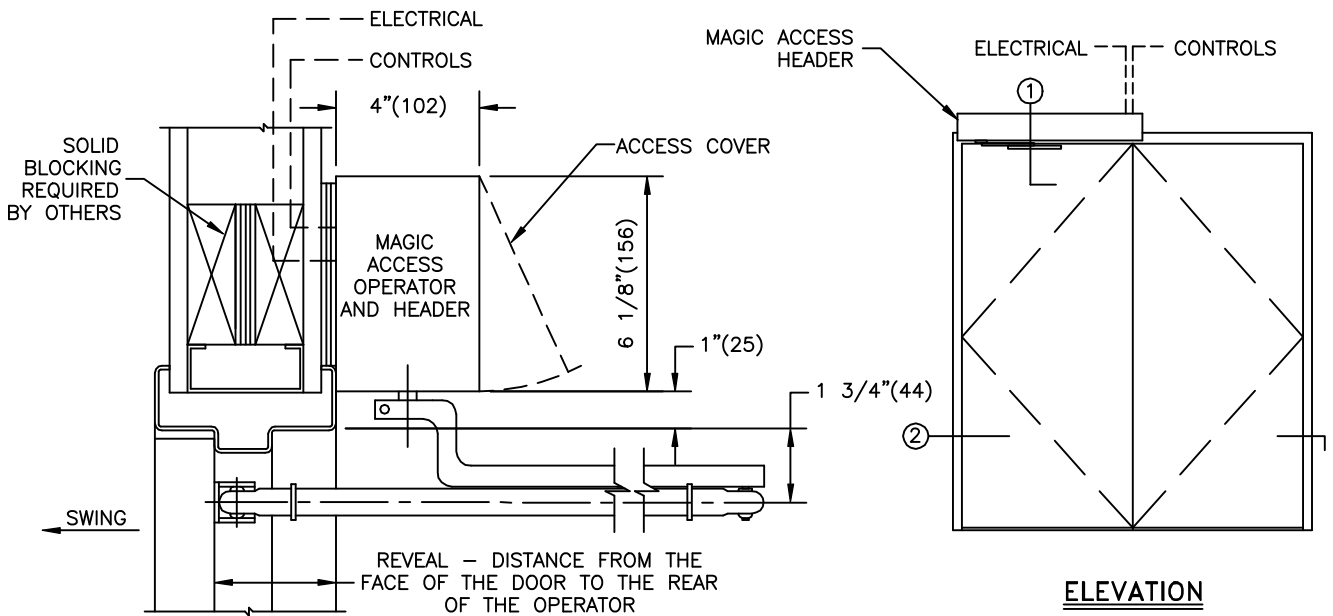


**STANLEY**

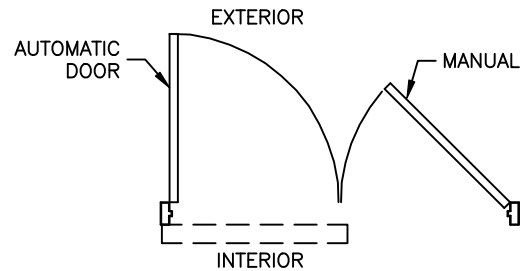
JOB NAME \_\_\_\_\_  
LOCATION \_\_\_\_\_  
DOOR NUMBER \_\_\_\_\_

**MAGIC ACCESS**  
PAIR DOORS  
SINGLE OPENING  
VISIBLE L.H. "OUT"

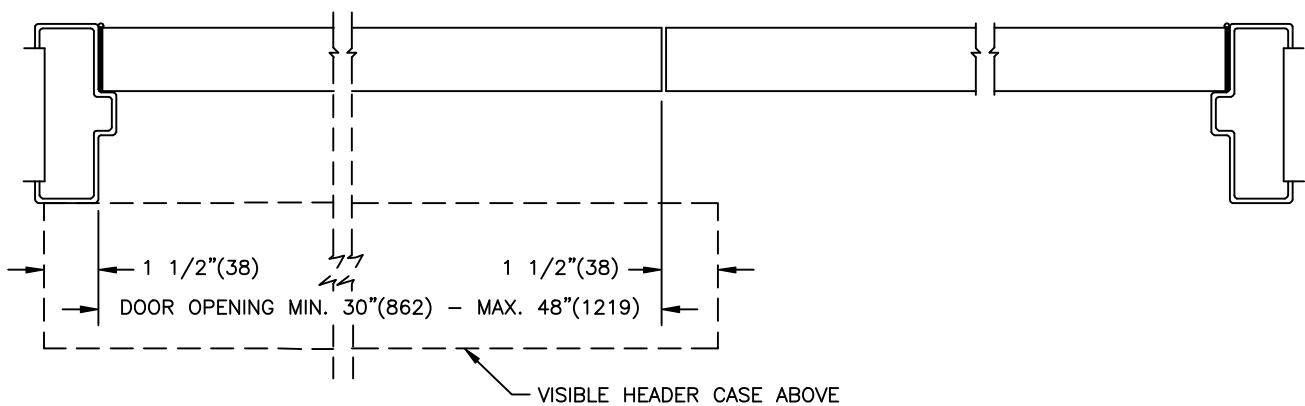


① VERTICAL SECTION

ELEVATION



PLAN



② HORIZONTAL SECTION

- NOTES:  
1. DETAILS NOT TO SCALE.  
2. ELECTRICAL REQUIREMENTS:  
120VAC, 10AMPS MIN. TO OPERATOR BY ELECTRICAL CONTRACTOR.  
BY ELECTRICAL CONTRACTOR.  
3. DOORS (END LOAD DOORS), FRAMES AND HARDWARE BY OTHERS.  
4. DOORS MUST BE NON-LATCHED FOR PROPER OPERATION.