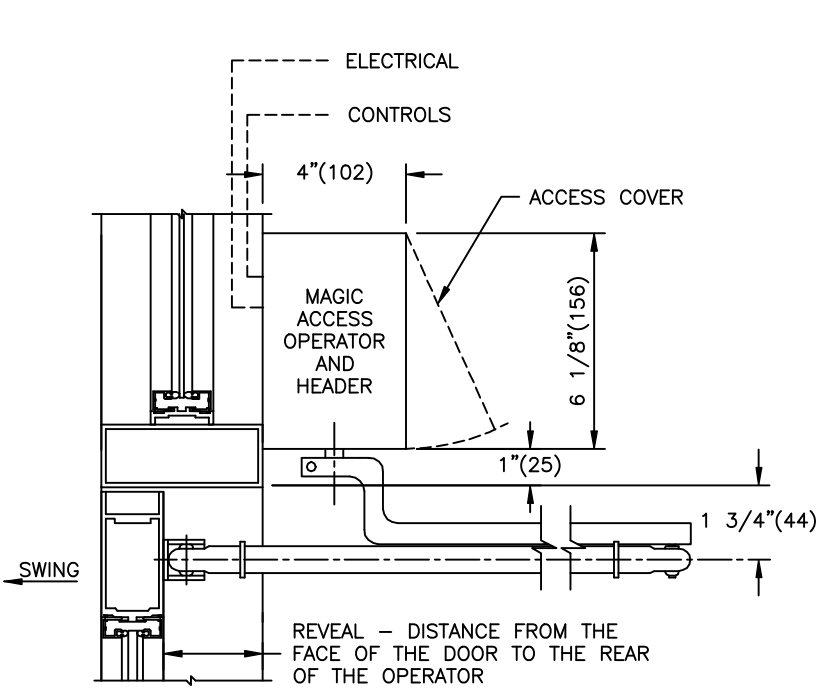


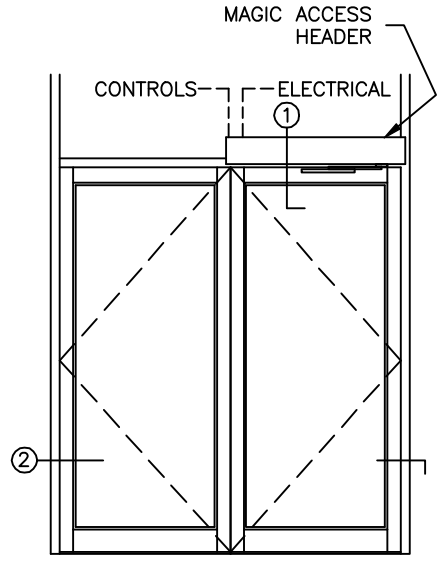
STANLEY

JOB NAME _____
 LOCATION _____
 DOOR NUMBER _____
 SHEET _____ OF _____

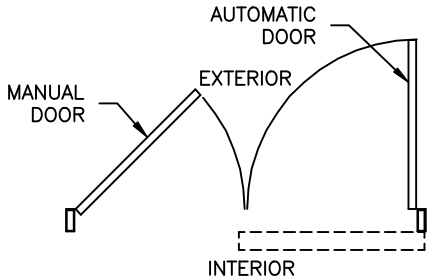
MAGIC ACCESS
 PAIR DOORS W/TRANSOM
 SINGLE OPENER
 VISIBLE R.H. "OUT"



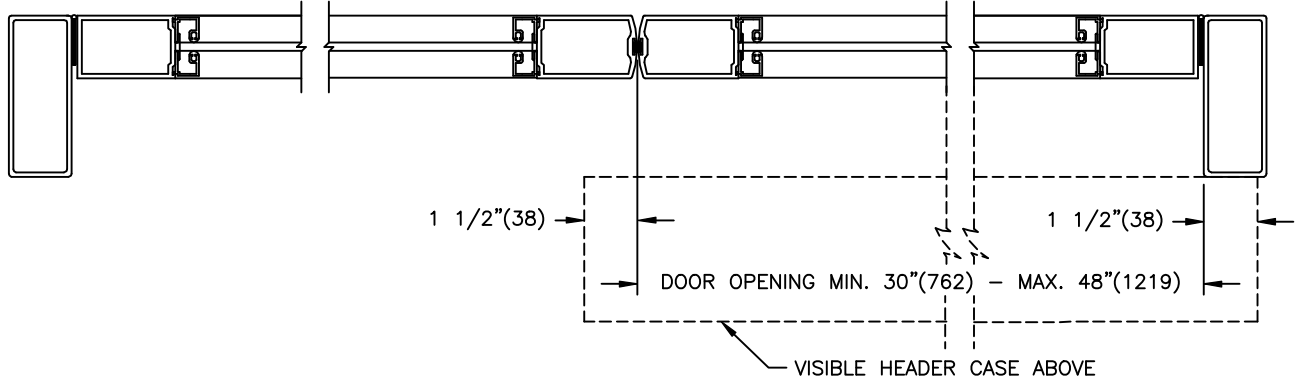
① VERTICAL SECTION



ELEVATION



PLAN



② HORIZONTAL SECTION

- NOTES:
 1. DETAILS NOT TO SCALE.
 2. ELECTRICAL REQUIREMENTS:
 120VAC, 10AMPS MIN. TO OPERATOR BY ELECTRICAL CONTRACTOR.
 3. DOORS (END LOAD DOORS), FRAMES AND HARDWARE BY OTHERS.
 4. DOORS MUST BE NON-LATCHED FOR PROPER OPERATION.