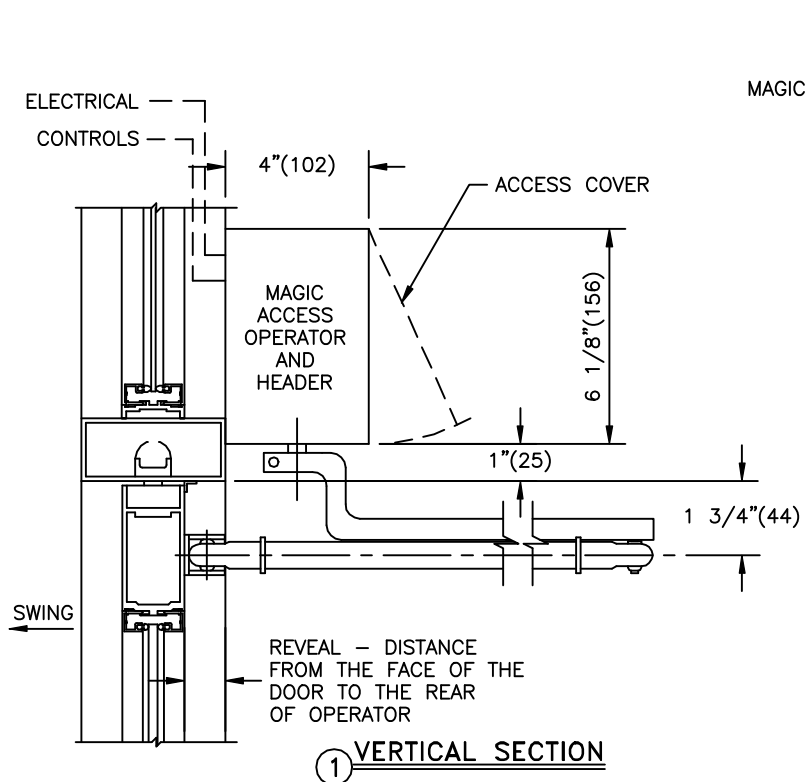


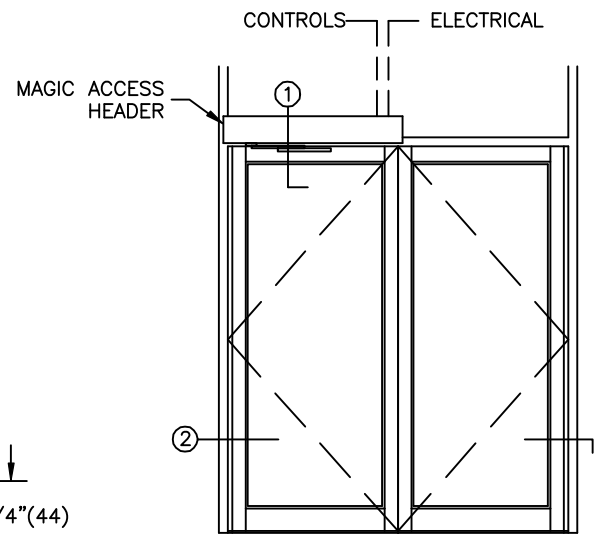
STANLEY

JOB NAME _____
LOCATION _____
DOOR NUMBER _____
SHEET _____ OF _____

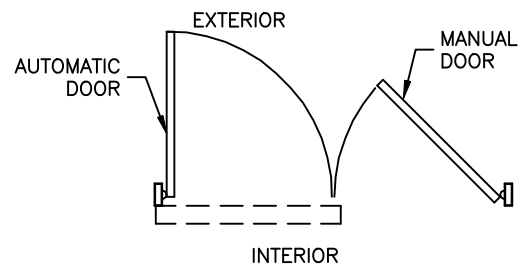
MAGIC ACCESS
PAIR DOORS,
CENTER PIVOT,
SINGLE OPENER
VISIBLE L.H. "OUT"



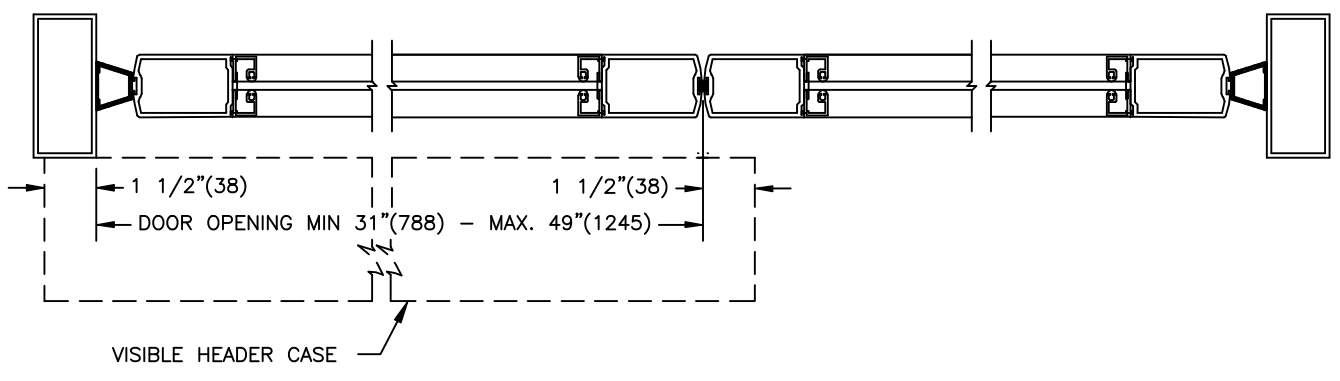
① VERTICAL SECTION



ELEVATION



INTERIOR PLAN



② HORIZONTAL SECTION

- NOTES:
1. DETAILS NOT TO SCALE.
2. ELECTRICAL REQUIREMENTS:
120VAC, 10AMPS MIN. TO OPERATOR BY ELECTRICAL CONTRACTOR.
3. DOORS (END LOAD DOORS), FRAMES AND HARDWARE BY OTHERS.
4. DOORS MUST BE NON-LATCHED FOR PROPER OPERATION.