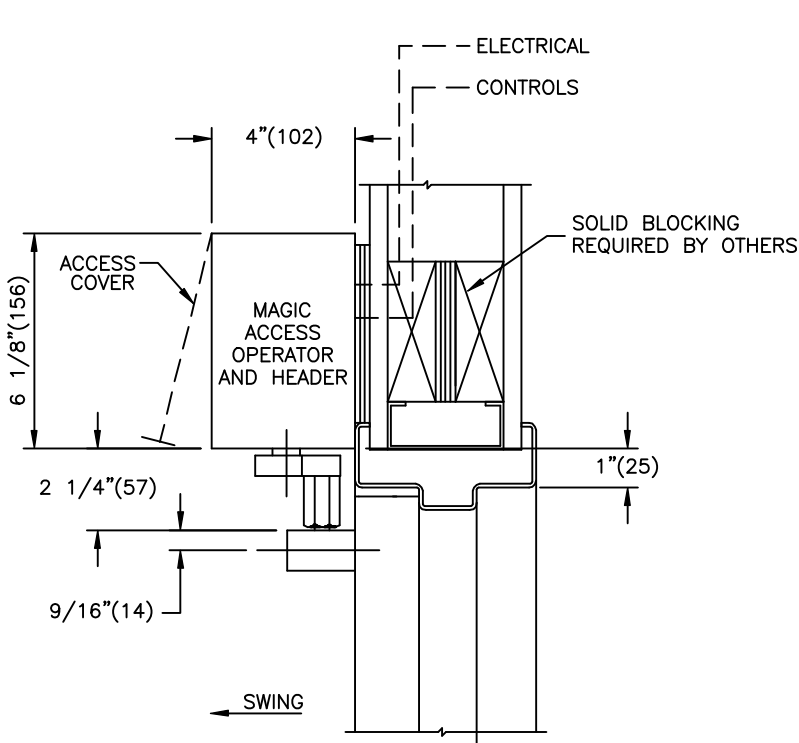


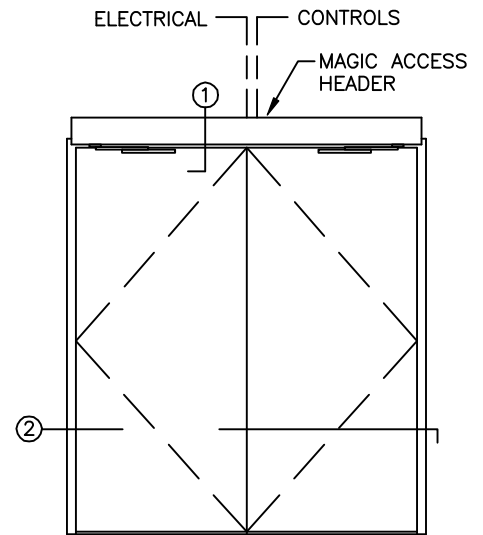
**STANLEY**

JOB NAME \_\_\_\_\_  
LOCATION \_\_\_\_\_  
DOOR NUMBER \_\_\_\_\_

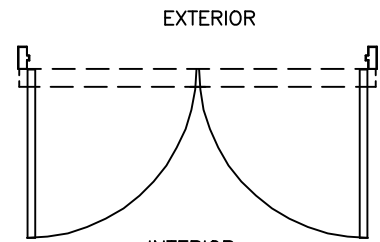
**MAGIC ACCESS**  
PAIR DOORS  
VISIBLE "IN"



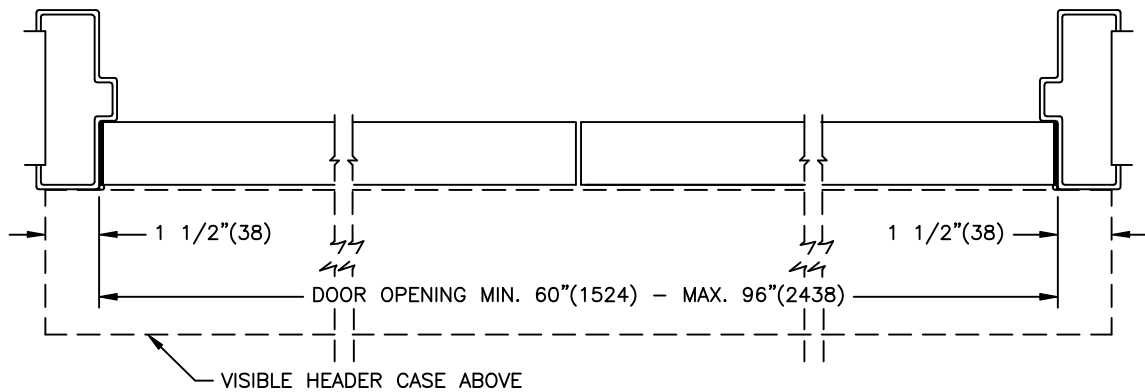
① VERTICAL SECTION



ELEVATION



PLAN



② HORIZONTAL SECTION

- NOTES:
1. DETAILS NOT TO SCALE.
  2. ELECTRICAL REQUIREMENTS:  
120VAC, 10AMPS MIN. TO OPERATOR  
BY ELECTRICAL CONTRACTOR.
  3. DOORS (END LOAD DOORS), FRAMES AND HARDWARE BY OTHERS.
  4. DOORS MUST BE NON-LATCHED FOR PROPER OPERATION.