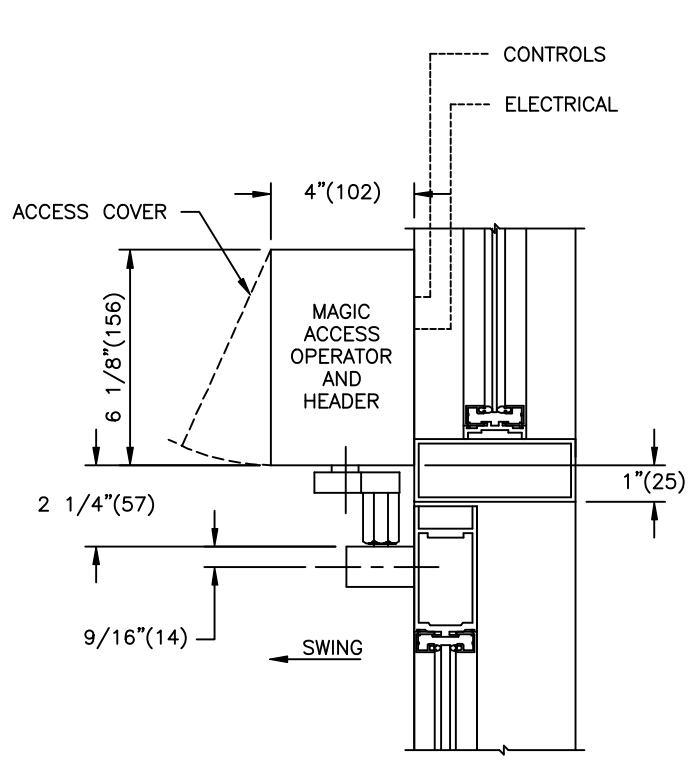


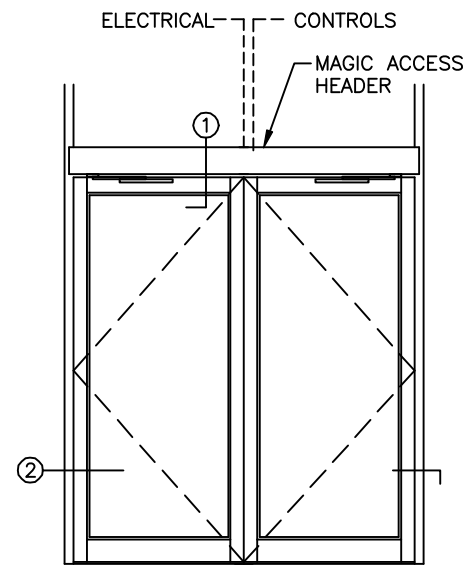
STANLEY

JOB NAME _____
LOCATION _____
DOOR NUMBER _____

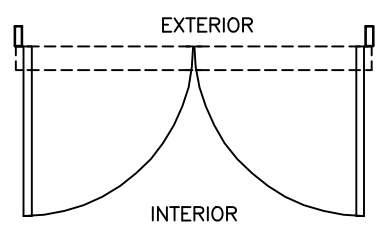
MAGIC ACCESS
PAIR DOORS
WITH TRANSOM
VISIBLE "IN"



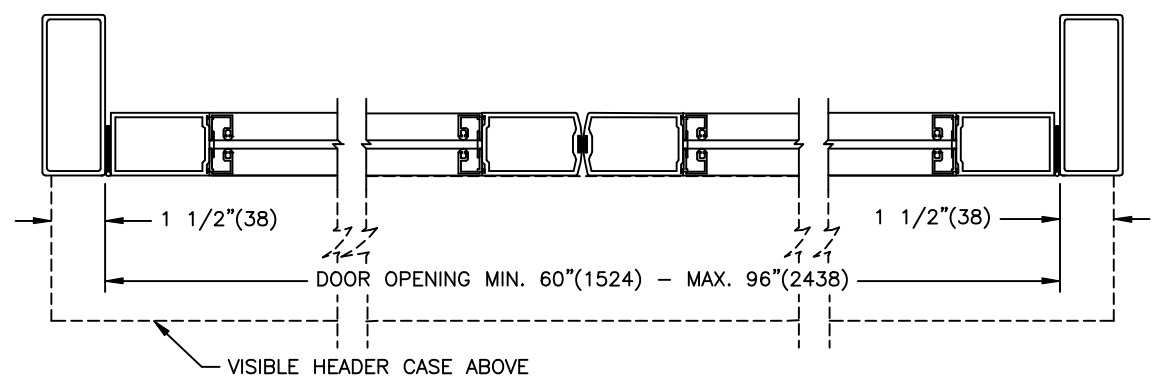
① VERTICAL SECTION



ELEVATION



PLAN



② HORIZONTAL SECTION

- NOTES:
1. DETAILS NOT TO SCALE.
 2. ELECTRICAL REQUIREMENTS:
120VAC, 10 AMPS MIN. TO OPERATOR
BY ELECTRICAL CONTRACTOR.
 3. DOORS (END LOAD DOORS), FRAMES AND HARDWARE BY OTHERS.
 4. DOORS MUST BE NON-LATCHED FOR PROPER OPERATION.