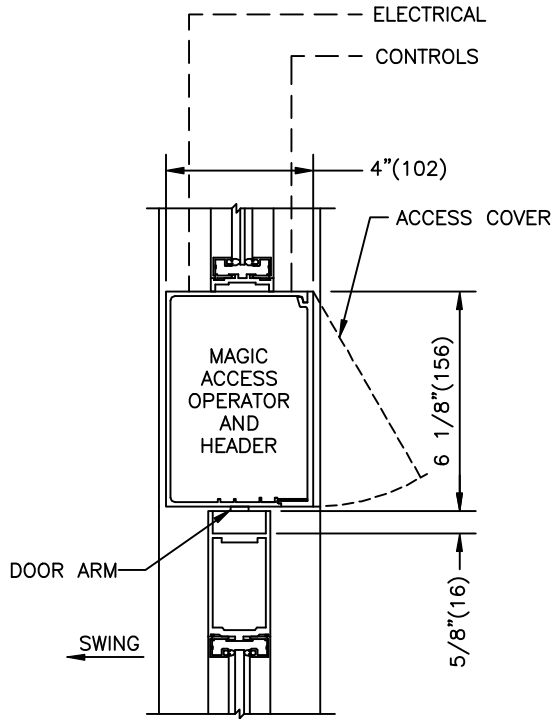


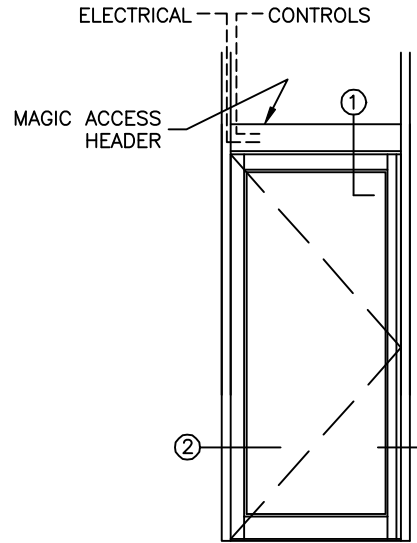
STANLEY

JOB NAME _____
LOCATION _____
DOOR NUMBER _____

MAGIC ACCESS
SINGLE DOOR
CENTER PIVOT
CONCEALED R.H.

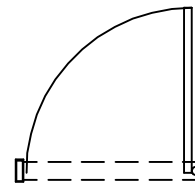


① VERTICAL SECTION



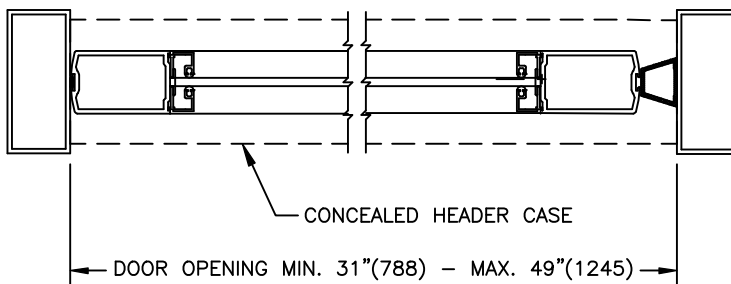
ELEVATION

EXTERIOR



INTERIOR

PLAN



② HORIZONTAL SECTION

NOTES:

1. DETAILS NOT TO SCALE.
2. ELECTRICAL REQUIREMENTS:
120VAC, 5AMPS MIN. TO OPERATOR BY ELECTRICAL CONTRACTOR.
3. DOORS (END LOAD DOORS), FRAMES AND HARDWARE BY OTHERS.
4. 32" CLEAR DOOR OPENING REQUIRED TO MEET A.D.A. REQUIREMENTS.
5. DOORS MUST BE NON-LATCHED FOR PROPER OPERATION.