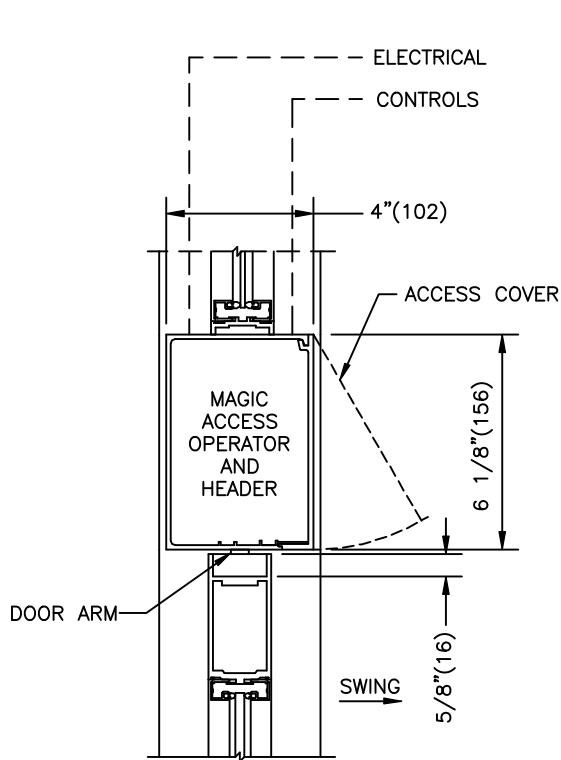


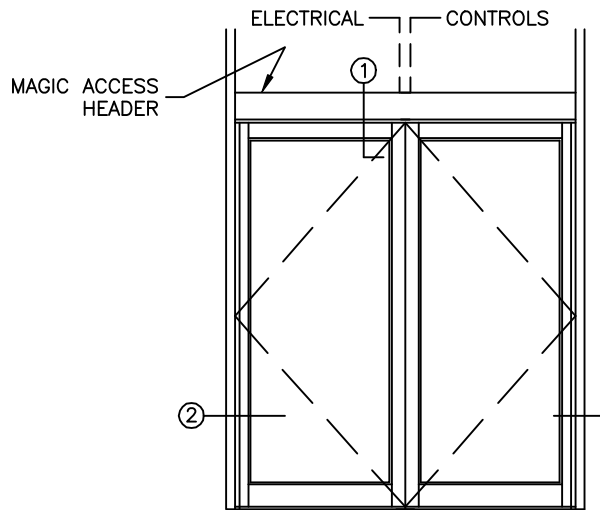
STANLEY

JOB NAME _____
LOCATION _____
DOOR NUMBER _____

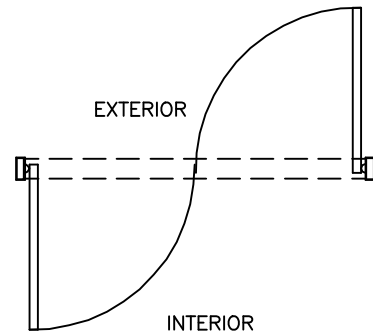
MAGIC ACCESS
PAIR DOORS
CONCEALED
DOUBLE EGRESS



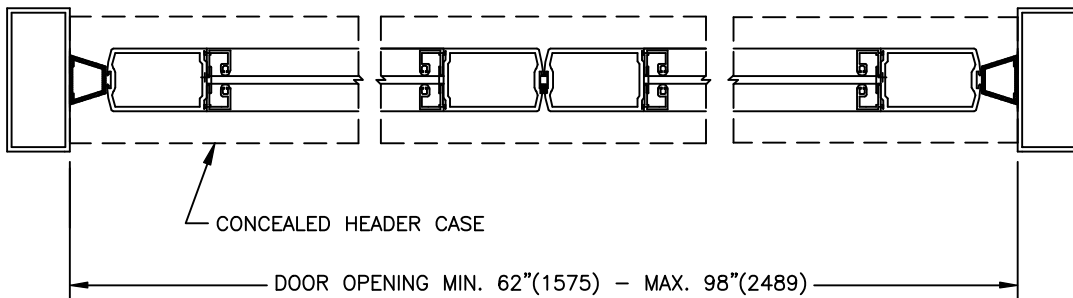
① VERTICAL SECTION



ELEVATION



PLAN



② HORIZONTAL SECTION

- NOTES:
1. DETAILS NOT TO SCALE.
 2. ELECTRICAL REQUIREMENTS:
120VAC, 10AMPS MIN. TO OPERATOR BY ELECTRICAL CONTRACTOR.
 3. DOORS (END LOAD DOORS), FRAMES AND HARDWARE BY OTHERS.
 4. DOORS MUST BE NON-LATCHED FOR PROPER OPERATION.