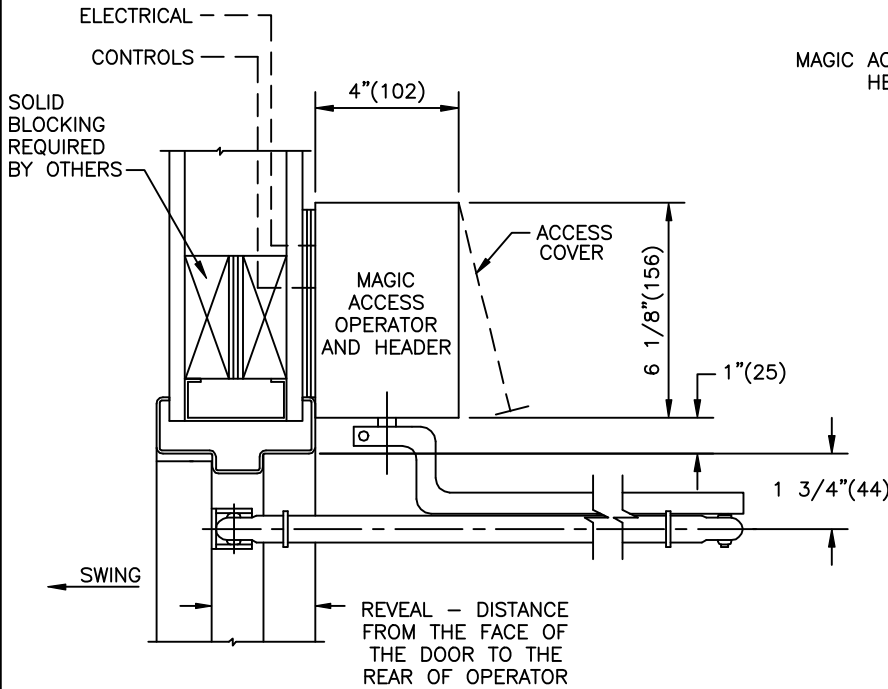


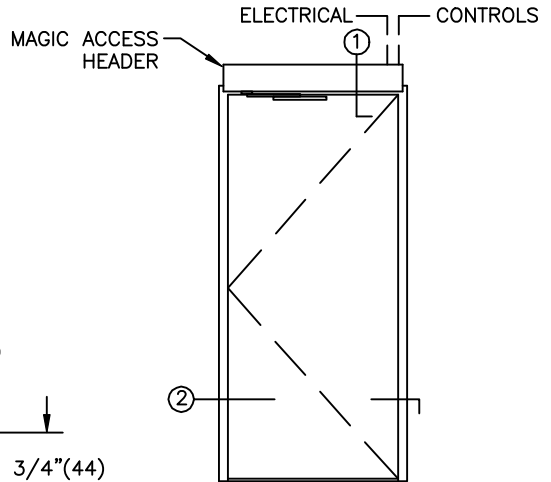
**STANLEY**

JOB NAME \_\_\_\_\_  
LOCATION \_\_\_\_\_  
DOOR NUMBER \_\_\_\_\_

**MAGIC ACCESS**  
SINGLE DOOR  
VISIBLE  
LEFT HAND "OUT"

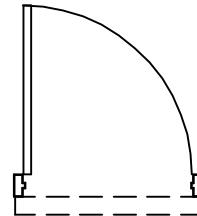


① VERTICAL SECTION



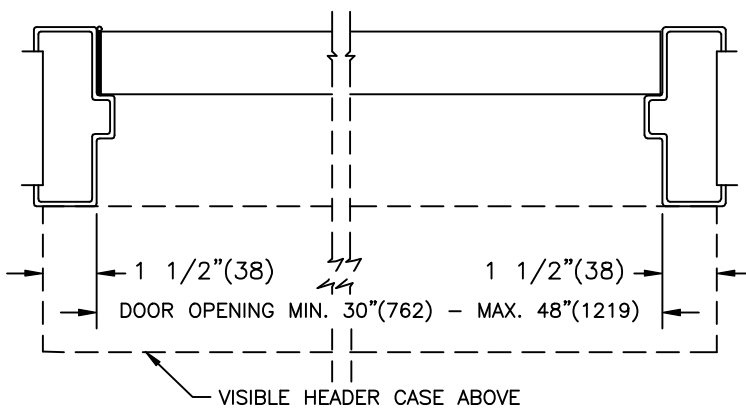
ELEVATION

INTERIOR



EXTERIOR

PLAN



② HORIZONTAL SECTION

NOTES:

1. DETAILS NOT TO SCALE.
2. ELECTRICAL REQUIREMENTS:  
120VAC, 5AMPS MIN. TO OPERATOR BY ELECTRICAL CONTRACTOR.  
BY ELECTRICAL CONTRACTOR.
3. DOORS (END LOAD DOORS), FRAMES AND HARDWARE BY OTHERS.
4. 32" CLEAR DOOR OPENING REQUIRED TO MEET A.D.A. REQUIREMENTS.
5. DOORS MUST BE NON-LATCHED FOR PROPER OPERATION.