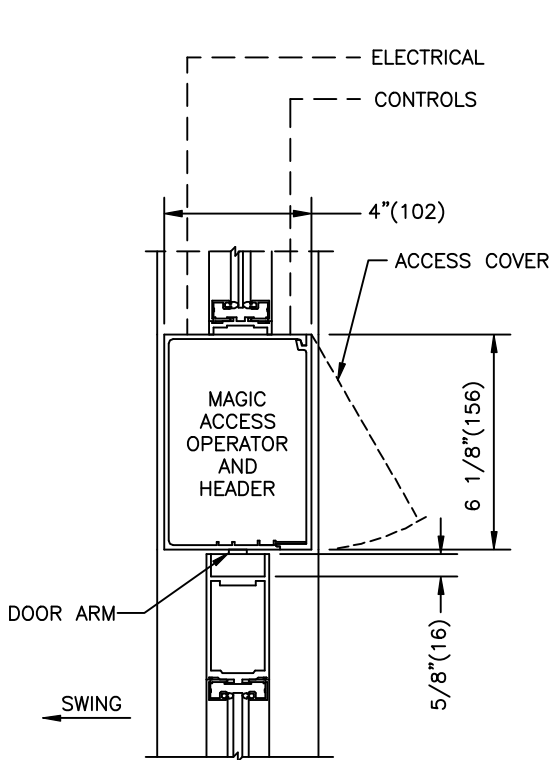


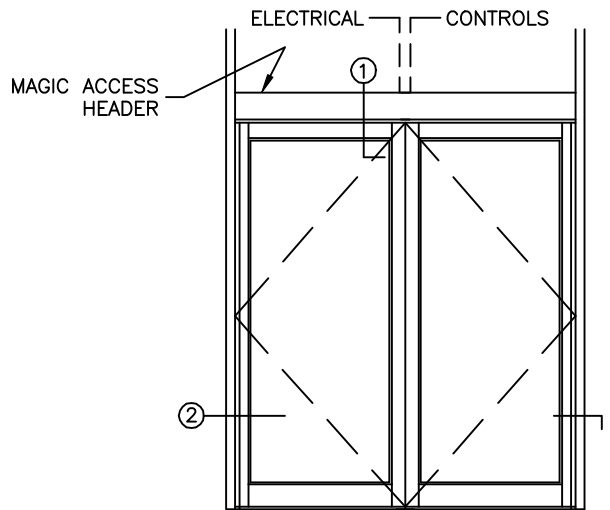
**STANLEY**

JOB NAME \_\_\_\_\_  
LOCATION \_\_\_\_\_  
DOOR NUMBER \_\_\_\_\_

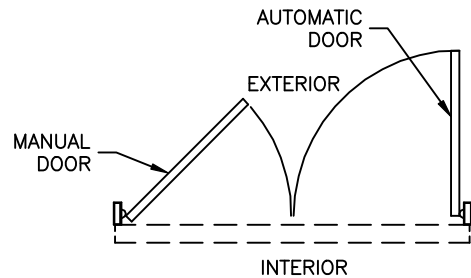
**MAGIC ACCESS**  
PAIR DOORS  
SINGLE OPENER  
CONCEALED R.H.



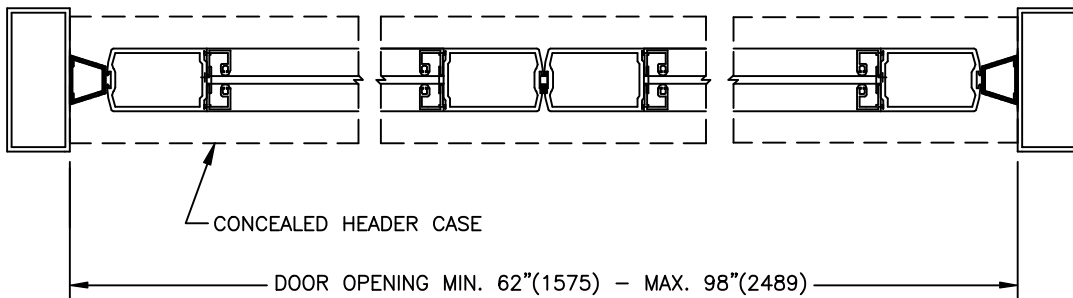
① VERTICAL SECTION



ELEVATION



PLAN



② HORIZONTAL SECTION

- NOTES:  
1. DETAILS NOT TO SCALE.  
2. ELECTRICAL REQUIREMENTS:  
120VAC, 10AMPS MIN. TO OPERATOR BY ELECTRICAL CONTRACTOR.  
3. DOORS (END LOAD DOORS), FRAMES AND HARDWARE BY OTHERS.  
4. DOORS MUST BE NON-LATCHED FOR PROPER OPERATION.