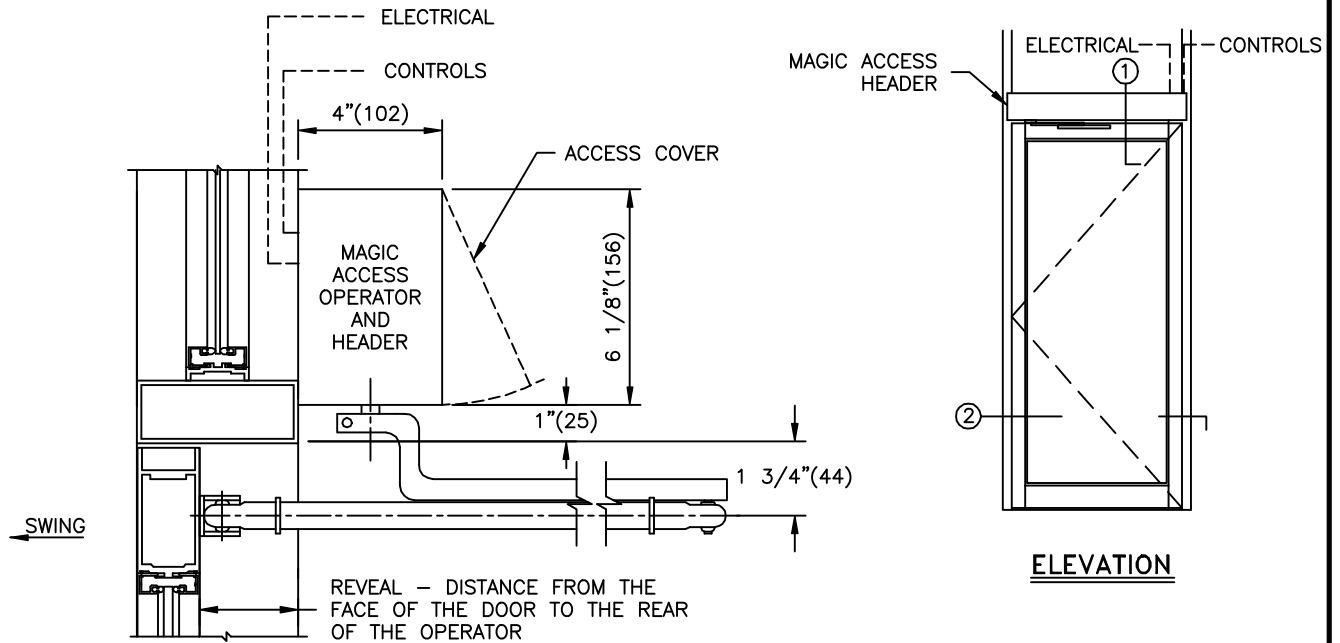


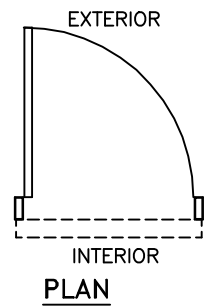
STANLEY

JOB NAME _____
LOCATION _____
DOOR NUMBER _____
SHEET _____ OF _____

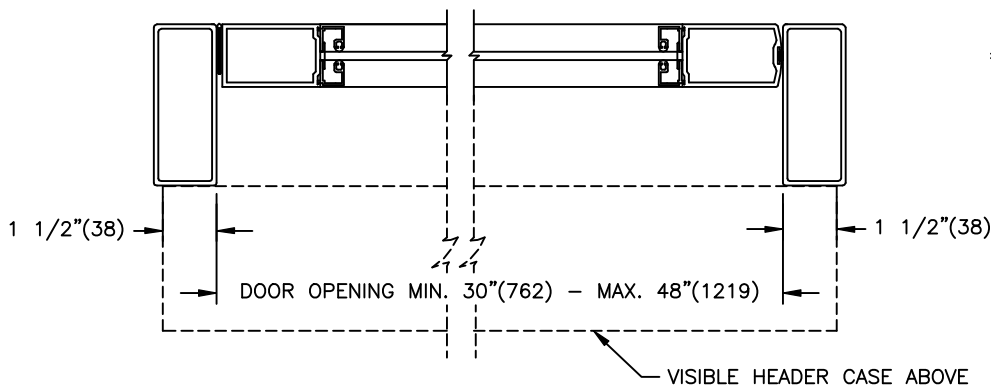
MAGIC ACCESS
SINGLE DOOR
WITH TRANSOM
VISIBLE L.H. "OUT"



① VERTICAL SECTION



PLAN



② HORIZONTAL SECTION

- NOTES:
1. DETAILS NOT TO SCALE.
 2. ELECTRICAL REQUIREMENTS:
120VAC, 5AMPS MIN. TO OPERATOR BY ELECTRICAL CONTRACTOR.
 3. DOORS (END LOAD DOORS), FRAMES AND HARDWARE BY OTHERS.
 4. 32" CLEAR DOOR OPENING REQUIRED TO MEET A.D.A. REQUIREMENTS.
 5. DOORS MUST BE NON-LATCHED FOR PROPER OPERATION.