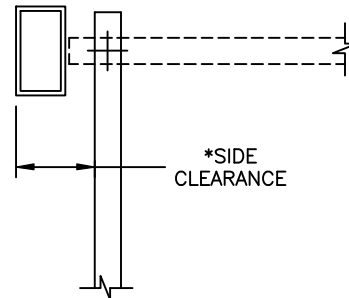


"IN" DOOR APPLICATION

DOOR PIVOT TYPE	REVEAL	SIDE CLEARANCE	DOOR WIDTH
HINGE HUNG/ OFFSET	0 THRU 4"	2 1/2"	32"-48"
2 3/4" CENTER PIVOT	0 THRU 4"	3 3/4"	32"-48"
3 3/4" CENTER PIVOT	0 THRU 4"	4 3/4"	32"-48"

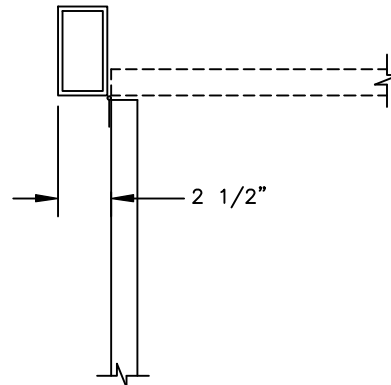
FOR CENTER PIVOT



"OUT" DOOR APPLICATION

DOOR PIVOT TYPE	REVEAL	SIDE CLEARANCE	DOOR WIDTH
HINGE HUNG/ OFFSET	0 THRU 4"	-0-	32"-48"
2 3/4" CENTER PIVOT	0 THRU 4"	-0-	32"-48"
3 3/4" CENTER PIVOT	0" THRU 4"	-0-	32"-48"

FOR HINGE HUNG



*DISTANCE FROM THE FACE OF THE DOOR IN THE FULL OPEN 90° POSITION TO THE OUTERMOST POINT OF THE OPERATOR LINKAGE OR HEADER, WHICHEVER IS GREATEST.